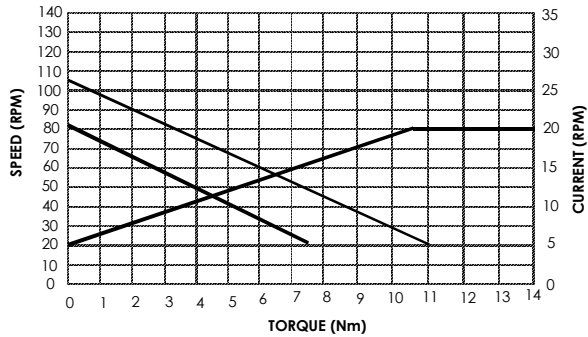


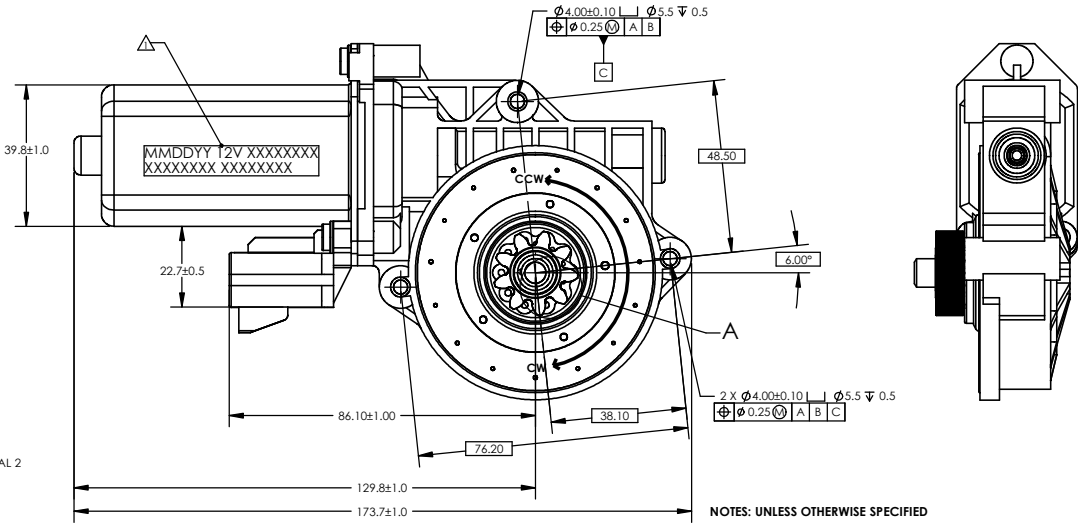
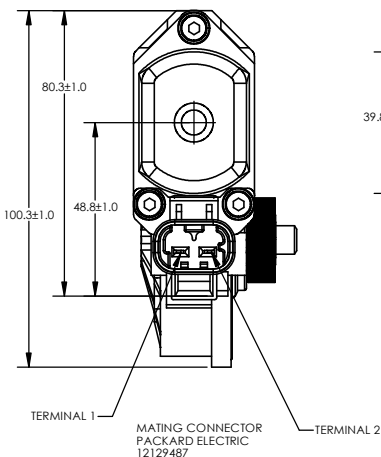
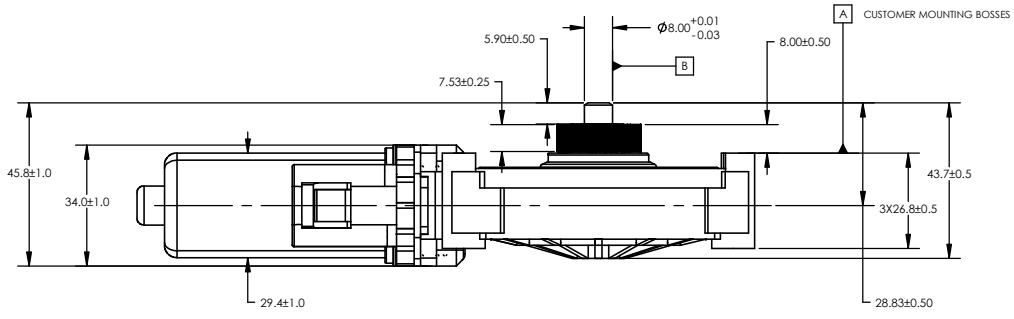
ALT.	REF.	DESCRIPTION	(YYYYMMDD)	BY
A		INITIAL RELEASE	20060118	NG

PERFORMANCE CURVE AT 28.0 -0.3(I) VDC AND +25°C ±3°



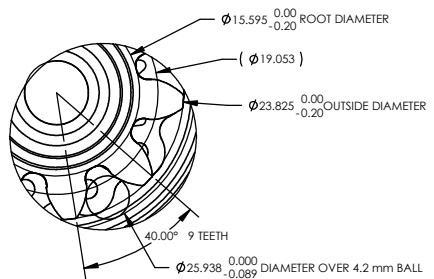
PERFORMANCE TABLE AT 28.0 -0.3(I) VDC AND +25°C ±3°

TORQUE (Nm)	MAX CURRENT (AMPS)	SPEED (RPM)
0	5	82-105
3	9	58-82
STALL	20	0

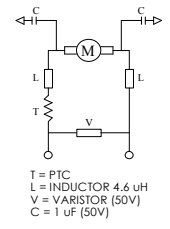


NOTES: UNLESS OTHERWISE SPECIFIED

- 1. MOTORS TO BE IDENTIFIED SHOWING SIX DIGIT DATE CODE "24V", OPTIONAL SERIAL NUMBER, JE PART NUMBER, MUNCY PART NUMBER
- 2. RADIAL SUPPORT OF OUTPUT SHAFT TO BE PROVIDED BY REGULATOR MECHANISM
- 3. PINION ROTATES CW WHEN TERMINAL 1 IS POSITIVE
- 4. DROPPED MOTORS SHALL NOT BE USED
- 5. MOTOR MUST BE FUNCTIONAL BETWEEN -29°C (-20°F) TO +82°C (+179°F)



PINION DATA	
NUMBER OF TEETH	9
NORMAL MODULE	2.117
NORMAL PRESSURE ANGLE	20°
HELIX ANGLE	0°
REFERENCE PITCH DIA	19.053
OUTSIDE DIA	23.825 ±0.0/-0.2
ROOT DIA	15.595 ±0.0/-0.2
TIP RADIUS	0.3 W-0.1
ROOT RADIUS	0.9 ±0.0/-0.2



MUNCY PART NUMBER:
12765R
24 VOLT MOTOR
9 TOOTH OUTPUT
STANDARD MOUNTING BOSS HEIGHT

ITEM NO.	QTY.	PART NO.	DESCRIPTION																											
<table border="1"> <tr> <td>DRN BY: NG</td> <td>CHK BY: X.XXX</td> <td>APP BY: X.XXX</td> </tr> <tr> <td>Date Issued: 20050404</td> <td>Date Revised: 2004mddd</td> <td>Date Approved: 2004mddd</td> </tr> </table>				DRN BY: NG	CHK BY: X.XXX	APP BY: X.XXX	Date Issued: 20050404	Date Revised: 2004mddd	Date Approved: 2004mddd																					
DRN BY: NG	CHK BY: X.XXX	APP BY: X.XXX																												
Date Issued: 20050404	Date Revised: 2004mddd	Date Approved: 2004mddd																												
MATERIAL: N/A																														
FINISH: N/A																														
<table border="1"> <tr> <td>General Tolerance: ISO 2748-1 Class m (unless specified)</td> <td>SCALE: 1:1</td> </tr> </table>				General Tolerance: ISO 2748-1 Class m (unless specified)	SCALE: 1:1																									
General Tolerance: ISO 2748-1 Class m (unless specified)	SCALE: 1:1																													
<table border="1"> <tr> <td> <table border="1"> <tr> <th>Cpk</th> <th>My Product</th> <th>Customer Approval</th> </tr> <tr> <td>≥ 1.67</td> <td>☑</td> <td>☑</td> </tr> <tr> <td>≥ 1.33</td> <td>☑</td> <td>☑</td> </tr> <tr> <td>≥ 1.00</td> <td>☑</td> <td>☑</td> </tr> <tr> <td>Not Required</td> <td>☑</td> <td>☑</td> </tr> </table> </td> <td> <table border="1"> <tr> <td>JOHNSON ELECTRIC</td> <td>JOHNSON ELECTRIC GROUP OF COMPANIES</td> </tr> <tr> <td colspan="2">This document is the property of Johnson Electric Group Inc. Reproduction or other use thereof, whether directly or indirectly, in whole or in part, is strictly prohibited. All products made or otherwise derived directly or indirectly from this document are proprietary to Johnson Electric. © Copyright Johnson Electric 2005. All rights reserved.</td> </tr> </table> </td> </tr> </table>			<table border="1"> <tr> <th>Cpk</th> <th>My Product</th> <th>Customer Approval</th> </tr> <tr> <td>≥ 1.67</td> <td>☑</td> <td>☑</td> </tr> <tr> <td>≥ 1.33</td> <td>☑</td> <td>☑</td> </tr> <tr> <td>≥ 1.00</td> <td>☑</td> <td>☑</td> </tr> <tr> <td>Not Required</td> <td>☑</td> <td>☑</td> </tr> </table>	Cpk	My Product	Customer Approval	≥ 1.67	☑	☑	≥ 1.33	☑	☑	≥ 1.00	☑	☑	Not Required	☑	☑	<table border="1"> <tr> <td>JOHNSON ELECTRIC</td> <td>JOHNSON ELECTRIC GROUP OF COMPANIES</td> </tr> <tr> <td colspan="2">This document is the property of Johnson Electric Group Inc. Reproduction or other use thereof, whether directly or indirectly, in whole or in part, is strictly prohibited. All products made or otherwise derived directly or indirectly from this document are proprietary to Johnson Electric. © Copyright Johnson Electric 2005. All rights reserved.</td> </tr> </table>	JOHNSON ELECTRIC	JOHNSON ELECTRIC GROUP OF COMPANIES	This document is the property of Johnson Electric Group Inc. Reproduction or other use thereof, whether directly or indirectly, in whole or in part, is strictly prohibited. All products made or otherwise derived directly or indirectly from this document are proprietary to Johnson Electric. © Copyright Johnson Electric 2005. All rights reserved.		<table border="1"> <tr> <td>TITLE</td> <td>MOTOR OUTLINE</td> </tr> <tr> <td>DWG No.</td> <td>1999-3060050</td> </tr> <tr> <td>SHEET 1 OF 1</td> <td></td> </tr> </table>	TITLE	MOTOR OUTLINE	DWG No.	1999-3060050	SHEET 1 OF 1	
<table border="1"> <tr> <th>Cpk</th> <th>My Product</th> <th>Customer Approval</th> </tr> <tr> <td>≥ 1.67</td> <td>☑</td> <td>☑</td> </tr> <tr> <td>≥ 1.33</td> <td>☑</td> <td>☑</td> </tr> <tr> <td>≥ 1.00</td> <td>☑</td> <td>☑</td> </tr> <tr> <td>Not Required</td> <td>☑</td> <td>☑</td> </tr> </table>	Cpk	My Product	Customer Approval	≥ 1.67	☑	☑	≥ 1.33	☑	☑	≥ 1.00	☑	☑	Not Required	☑	☑	<table border="1"> <tr> <td>JOHNSON ELECTRIC</td> <td>JOHNSON ELECTRIC GROUP OF COMPANIES</td> </tr> <tr> <td colspan="2">This document is the property of Johnson Electric Group Inc. Reproduction or other use thereof, whether directly or indirectly, in whole or in part, is strictly prohibited. All products made or otherwise derived directly or indirectly from this document are proprietary to Johnson Electric. © Copyright Johnson Electric 2005. All rights reserved.</td> </tr> </table>	JOHNSON ELECTRIC	JOHNSON ELECTRIC GROUP OF COMPANIES	This document is the property of Johnson Electric Group Inc. Reproduction or other use thereof, whether directly or indirectly, in whole or in part, is strictly prohibited. All products made or otherwise derived directly or indirectly from this document are proprietary to Johnson Electric. © Copyright Johnson Electric 2005. All rights reserved.											
Cpk	My Product	Customer Approval																												
≥ 1.67	☑	☑																												
≥ 1.33	☑	☑																												
≥ 1.00	☑	☑																												
Not Required	☑	☑																												
JOHNSON ELECTRIC	JOHNSON ELECTRIC GROUP OF COMPANIES																													
This document is the property of Johnson Electric Group Inc. Reproduction or other use thereof, whether directly or indirectly, in whole or in part, is strictly prohibited. All products made or otherwise derived directly or indirectly from this document are proprietary to Johnson Electric. © Copyright Johnson Electric 2005. All rights reserved.																														
TITLE	MOTOR OUTLINE																													
DWG No.	1999-3060050																													
SHEET 1 OF 1																														