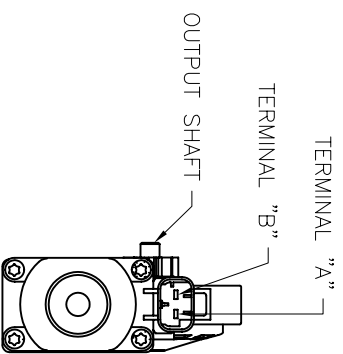
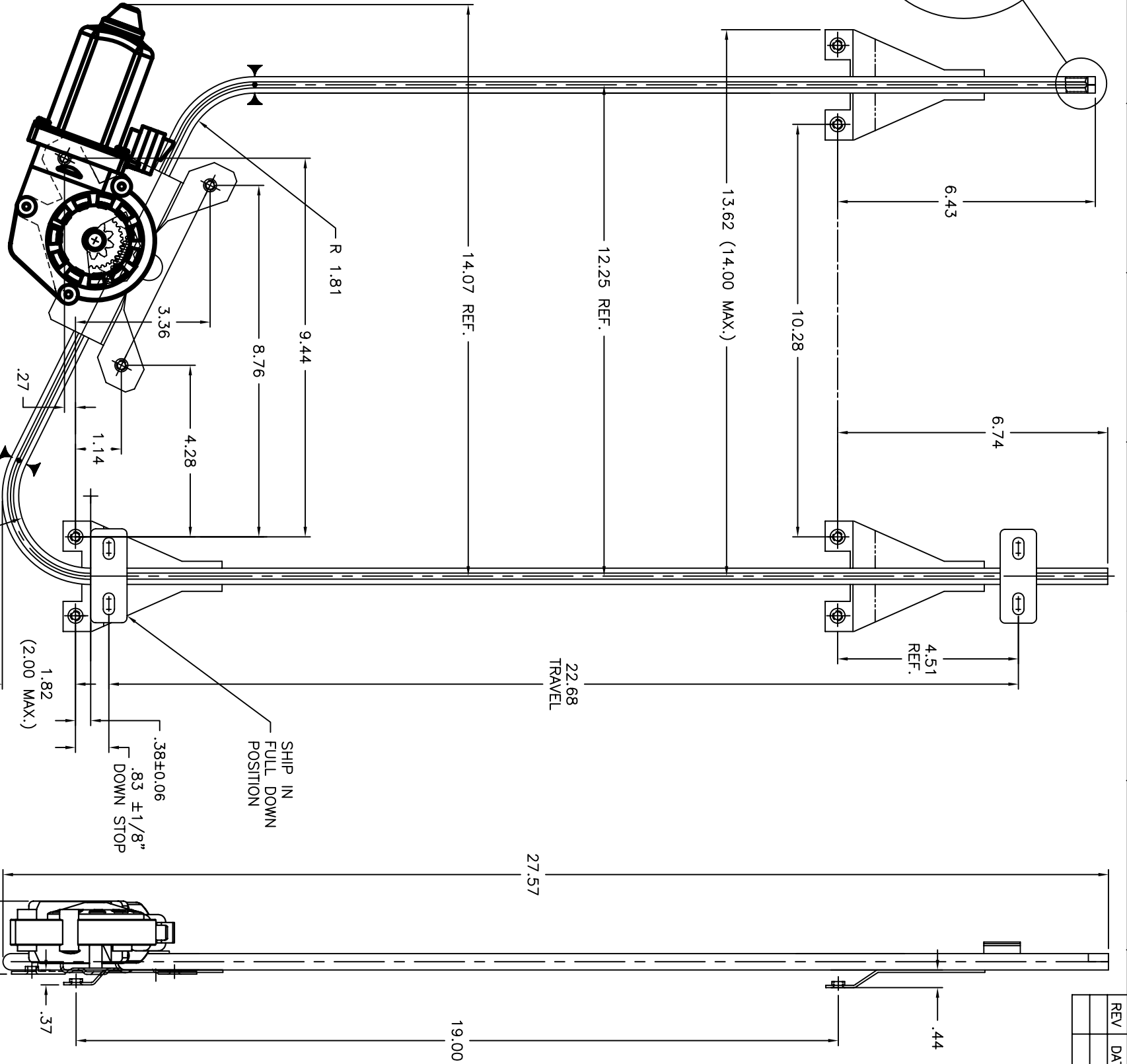
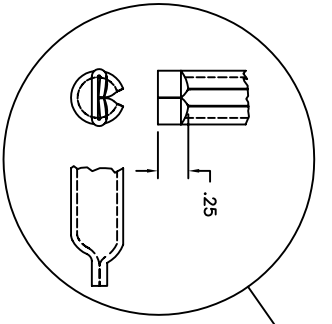


DIST. : MAIN ASSY- CABLE QUAL. CTL. ENG. PURCH. PRESS TOOLROOM

TUBE CLOSURE  
SCALE: 2:1



TERMINAL	ACTION
"A" +	WINDOW DOWN
"B" +	WINDOW UP

WIRE HARNESS  
CONNECTION

SAMPLE DRAWING  
DIMENSIONS FOR REFERENCE ONLY

PROPRIETARY  
THIS DRAWING AND THE INFORMATION CONTAINED HEREIN IS PROPRIETARY TO MUNCY CORPORATION AND SHALL NOT BE REPRODUCED, COPIED, OR DISCLOSED IN WHOLE OR IN PART FOR THE PURPOSE OF MANUFACTURING WITHOUT THE WRITTEN PERMISSION OF MUNCY CORP.

DO NOT SCALE DRAWING

TOLERANCES (UNLESS OTHERWISE SPECIFIED)
DECIMAL ± .005
FRACTIONAL ± 1/32
ANGULAR ± 1°
HAND MADE PROJ.

<b>MUNCY CORPORATION</b>	
TITLE CABLE DRIVE REG. (ELEC.)L.H.	MATERIAL SEE NOTE
DRAWN BY JMW	DATE 9-7-04
APPROVAL GRH	PILOT SCALE
WHERE USED	DRAWING NO.

REV	DATE	DESCRIPTION	BY	CK